

F9200 Extended Temperature Range Single Phase Double Stage Filters



Features

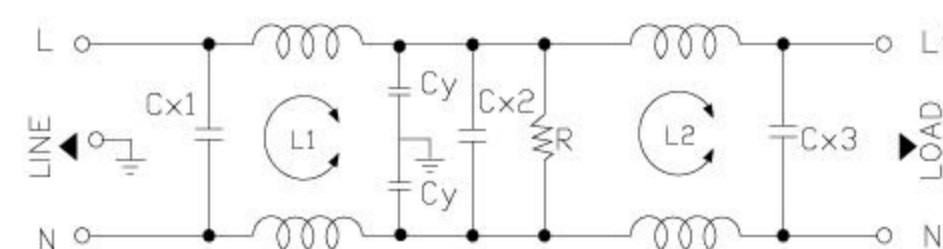
Extended temperature range, high performance, double stage power line filters for dynamic and high ambient environments.

Typical Applications

Applications at high ambient environments or with limited temperature rise requirements.

Technical Data

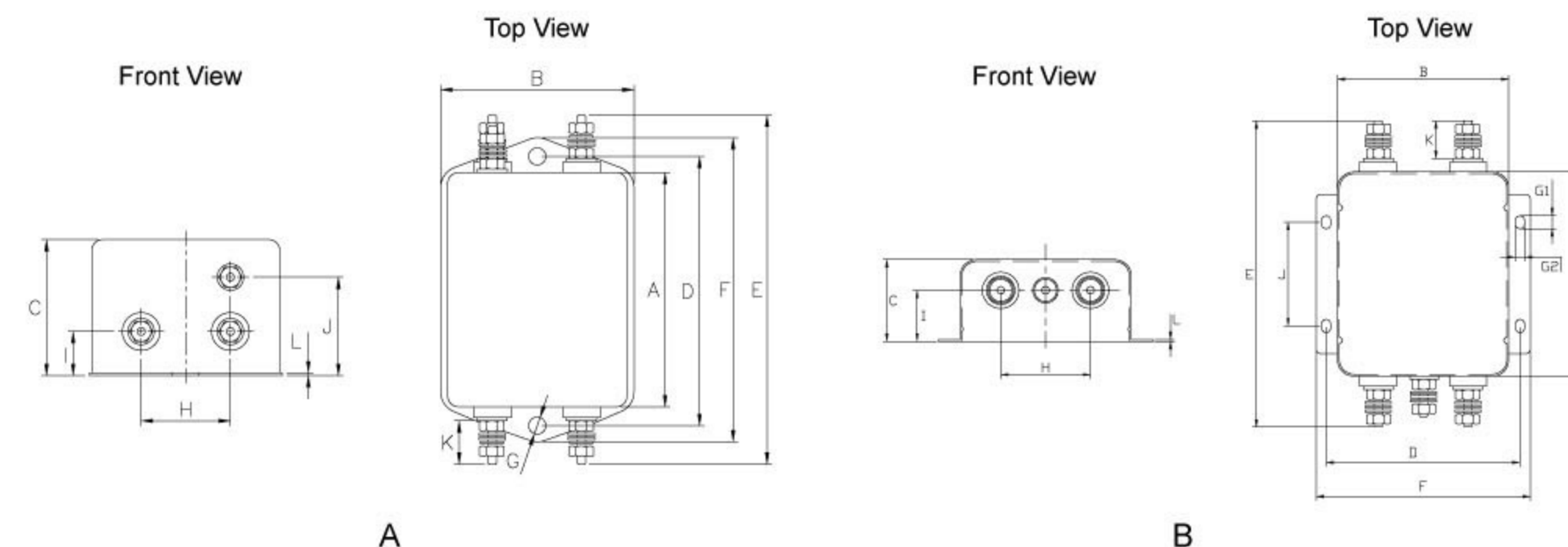
Rated Voltage	250 VAC Max.	Leakage Current F9200 Series	
Rated Current	1-35 A	@ 250 VAC 50 Hz	0.89 mA Max.
Operating Frequency	50/60 Hz	@ 115 VAC 60 Hz	0.49 mA Max.
Hipot Rating		Operating temp	- 40 to 85°C
Line to Line	1450 VDC		
Line to Ground	2250 VDC		
Case	CRS Ni plated		



F9200 - Electrical Schematic

F9200 Model No.	Rated Current (A) @ 80°C	L / N Termination / terminals	Ground Termination / Terminals	L (mH)	Core	L2 (mH)	Cx (uF)	Cy (pF)
F9200.00511.00	5.0	M4/8-32	M4/8-32	6.1	T25x15x10C	4.1	0.47	4700.0
F9200.01011.00	10.0	M4/8-32	M4/8-32	7.2	T36x23x15C	4.8	1.00	4700.0
F9200.02011.00	20.0	M4/8-32	M4/8-32	0.9	T38x19x13C	0.6	1.00	4700.0
F9200.03011.00	30.0	M6/10-32	M6/10-32	0.6	T38x19x13C	0.4	1.00	4700.0
F9200.03511.00	35.0	M6/10-32	M6/10-32	0.6	T38x19x13C	0.4	1.00	4700.0

F9200 Mechanical Outlines



F9200 Mechanical Dimensions (mm) For reference only

Model No.	A	B	C	D	E	F	G	H	I	J	K	Fig
F9200.00511.00	62.5	52.0	38.0	75.0	87.5	85.0	4.8	25.0	12.3	27.5	8.5	A
F9200.01011.00	92.5	58.0	41.0	105.0	117.5	115.0	5.0*6.8	30.0	13.0	29.0	8.5	A
F9200.02011.00	100.0	84.0	57.0	95.0	150.6	105.0	4.5*6.5	44.0	37.0	50.8	20.5	B
F9200.03011.00	100.0	84.0	57.0	95.0	150.6	105.0	4.5*6.5	44.0	37.0	50.8	20.5	B
F9200.03511.00	100.0	84.0	57.0	95.0	150.6	105.0	4.5*6.5	44.0	37.0	50.8	20.5	B

All dimensions in mm, 1 inch=25.4 mm

Insertion Loss in dB Measured in a 50Ω System

Model No.	Common Mode IL (Frequencies in MHz)							
	0.05	0.1	0.15	0.5	1.0	5.0	10.0	30.0
F9200.00511.00	12.0	25.0	45.0	70.0	80.0	66.0	60.0	60.0
F9200.01011.00	10.0	10.0	30.0	65.0	79.0	72.0	66.0	57.0
F9200.02011.00	5.0	10.0	20.0	55.0	70.0	80.0	80.0	70.0
F9200.03011.00	5.0	10.0	20.0	55.0	70.0	65.0	80.0	62.0
F9200.03511.00	5.0	10.0	20.0	55.0	70.0	65.0	80.0	43.0

Model No.	Differential Mode IL (Frequencies in MHz)							
	0.05	0.1	0.15	0.5	1.0	5.0	10.0	30.0
F9200.00511.00	10.0	15.0	20.0	70.0	50.0	65.0	70.0	60.0
F9200.01011.00	15.0	20.0	23.0	45.0	60.0	55.0	55.0	60.0
F9200.02011.00	15.0	20.0	23.0	45.0	50.0	65.0	55.0	60.0
F9200.03011.00	20.0	25.0	30.0	60.0	65.0	70.0	72.0	60.0
F9200.03511.00	20.0	25.0	30.0	50.0	65.0	70.0	75.0	60.0

Other specifications, requirements and customizations can be provided upon request.

Units can be supplied without "Y" capacitor upon request.