

F9100 Extended Temperature Range Single Phase Single Stage Filters



Features

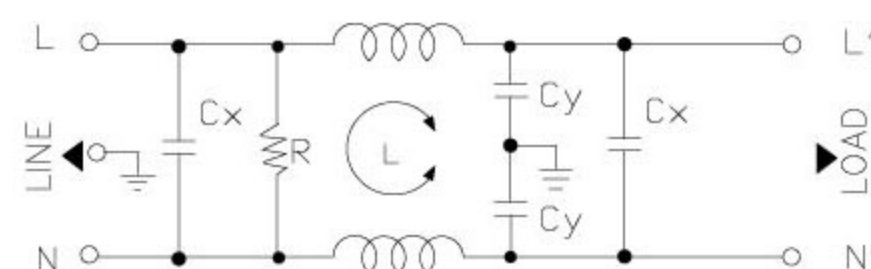
Extended temperature range single phase power line filters for dynamic and high ambient environments.

Typical Applications

Applications at high ambient environments or with limited temperature rise requirements.

Technical Data

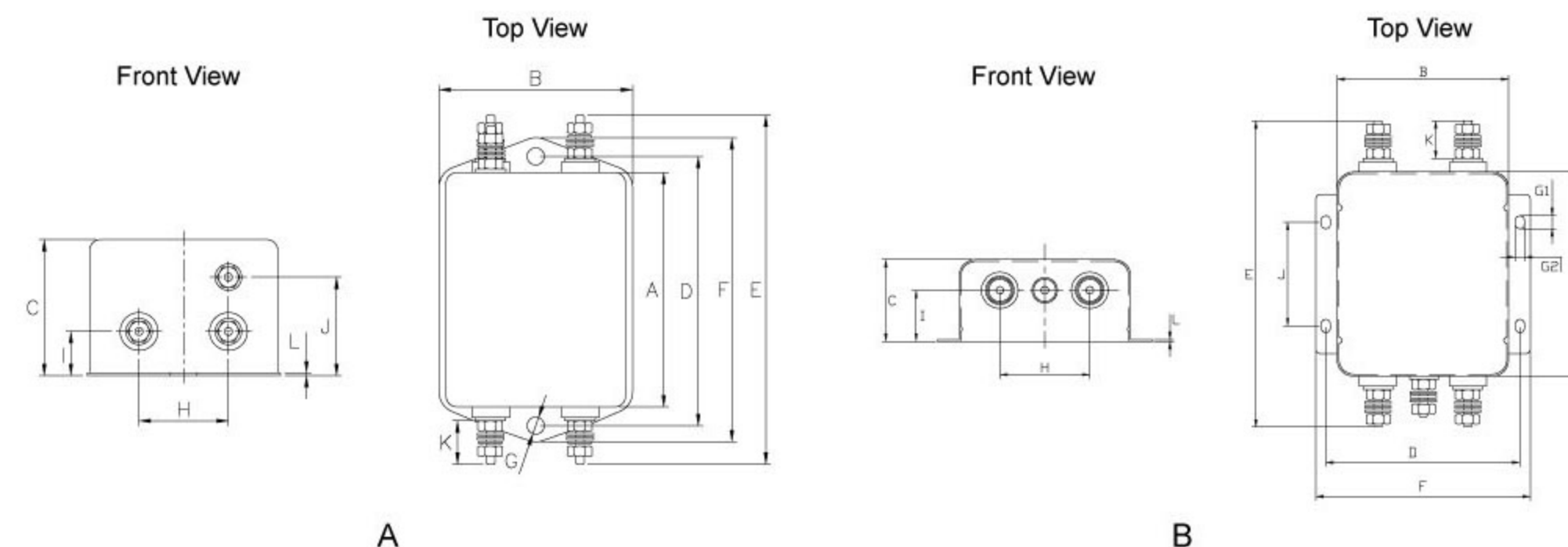
Rated Voltage	250 VAC Max.	Leakage Current F9100 Series	
Rated Current	1-35 A	@ 250 VAC 50 Hz	0.89 mA Max.
Operating Frequency	50/60 Hz	@ 115 VAC 60 Hz	0.49 mA Max.
Hipot Rating		Operating temp	- 40 to 85°C
Line to Line	1450 VDC		
Line to Ground	2250 VDC		
Case	CRS Ni plated		
Packaging Quantity	60/12 pcs per carton		



F9100 - Electrical Schematic

F9100 Model No.	Rated Current (A) @ 80°C	L / N Termination / terminals	Ground Termination / Terminals	L (mH)	Cx (uF)	Cy (pF)
F9100.00511.00	5.0	M4/8-32	M4/8-32	3.20	1.0	4700.0
F9100.01011.00	10.0	M4/8-32	M4/8-32	3.20	1.0	4700.0
F9100.02011.00	20.0	M4/8-32	M4/8-32	2.20	2.2	4700.0
F9100.03011.00	30.0	M6/10-32	M6/10-32	1.35	2.2	4700.0
F9100.03511.00	35.0	M6/10-32	M6/10-32	1.35	2.2	4700.0

F9100 Mechanical Outlines



F9100 Mechanical Dimensions (mm) For reference only

Model No.	A	B	C	D	E	F	G	H	I	J	K	Fig
F9100.00511.00	62.5	52.0	38.0	75.0	87.5	85.0	4.8	25.0	12.3	27.5	8.5	A
F9100.01011.00	62.5	52.0	38.0	75.0	87.5	85.0	4.8	25.0	12.3	27.5	8.5	A
F9100.02011.00	100.0	84.0	40.0	95.0	150.6	105.0	4-Φ4.5*6.5	44.0	25.0	50.8	20.5	B
F9100.03011.00	100.0	84.0	40.0	95.0	150.6	105.0	4-Φ4.5*6.5	44.0	25.0	50.8	20.5	B
F9100.03511.00	100.0	84.0	40.0	95.0	150.6	105.0	4-Φ4.5*6.5	44.0	25.0	50.8	20.5	B

All dimensions in mm, 1 inch=25.4 mm

Insertion Loss in dB Measured in a 50Ω System

Model No.	Common Mode IL (Frequencies in MHz)							
	0.05	0.1	0.15	0.5	1.0	5.0	10.0	30.0
F9100.00511.00	16.0	21.0	25.0	37.0	45.0	45.0	45.0	40.0
F9100.01011.00	13.0	19.0	23.0	35.0	43.0	43.0	43.0	40.0
F9100.02011.00	10.0	16.0	19.0	31.0	40.0	40.0	40.0	40.0
F9100.03011.00	8.0	13.0	17.0	28.0	38.0	38.0	38.0	35.0
F9100.03511.00	5.0	10.0	13.0	25.0	34.0	34.0	34.0	30.0

Model No.	Differential Mode IL (Frequencies in MHz)							
	0.05	0.1	0.15	0.5	1.0	5.0	10.0	30.0
F9100 Series	5.0	10.0	13.0	23.0	30.0	35.0	35.0	35.0

Other specifications, requirements and customizations can be provided upon request.

Units can be supplied without "Y" capacitor upon request.