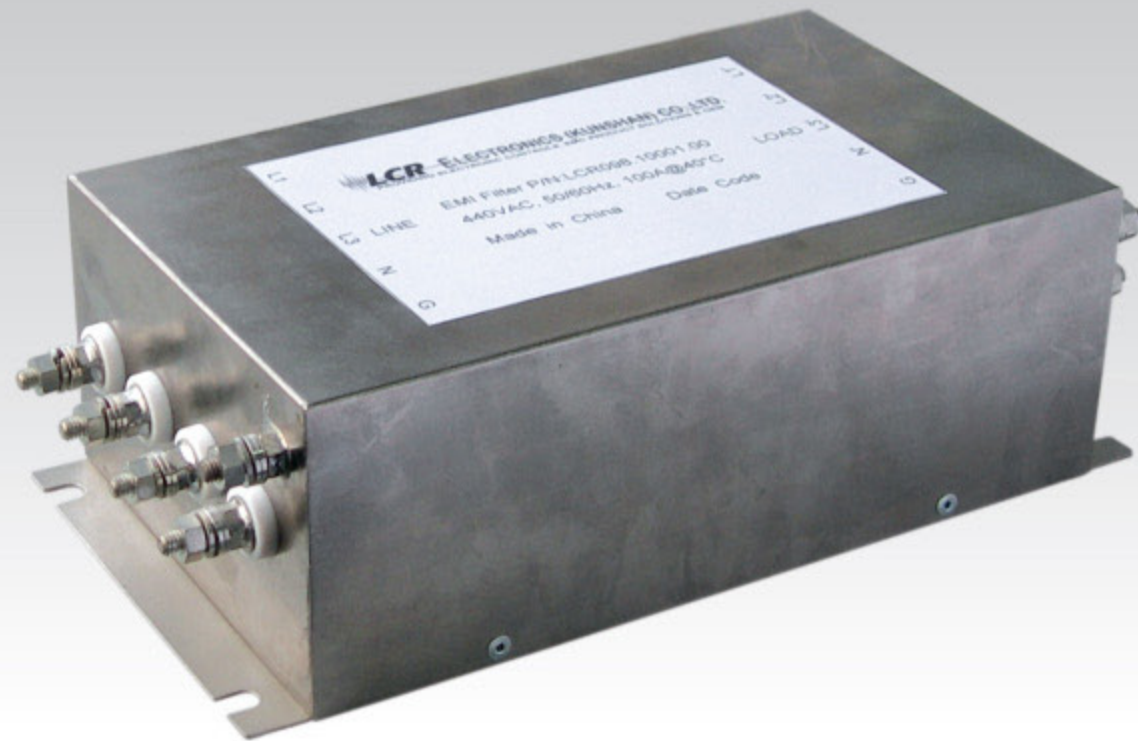


098 High Performance Three-Phase Four Line Filters

RoHS



Features

Compact, robust, general purpose three-phase four line filters with earth connections.

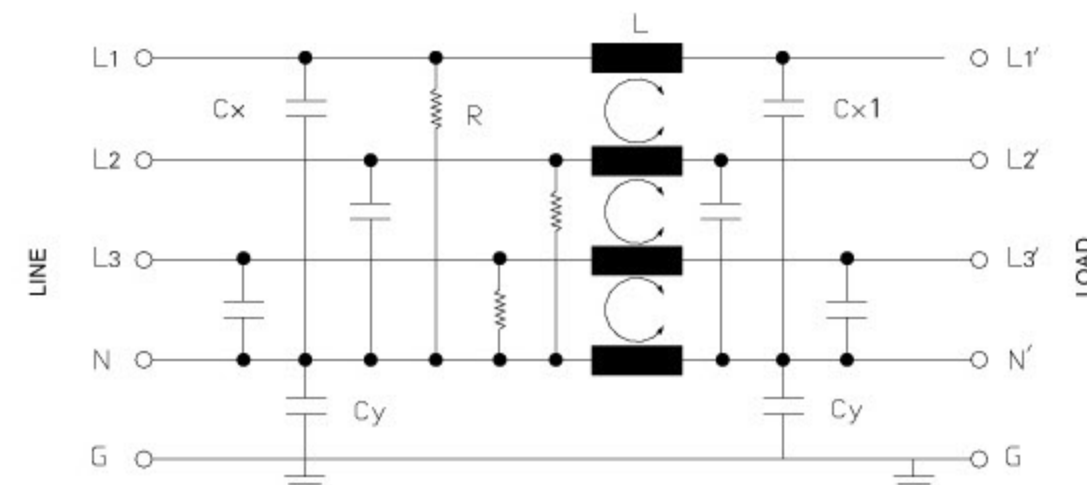
Typical Applications

Industrial equipment and other general purpose power equipment that use four lines.

Technical Data

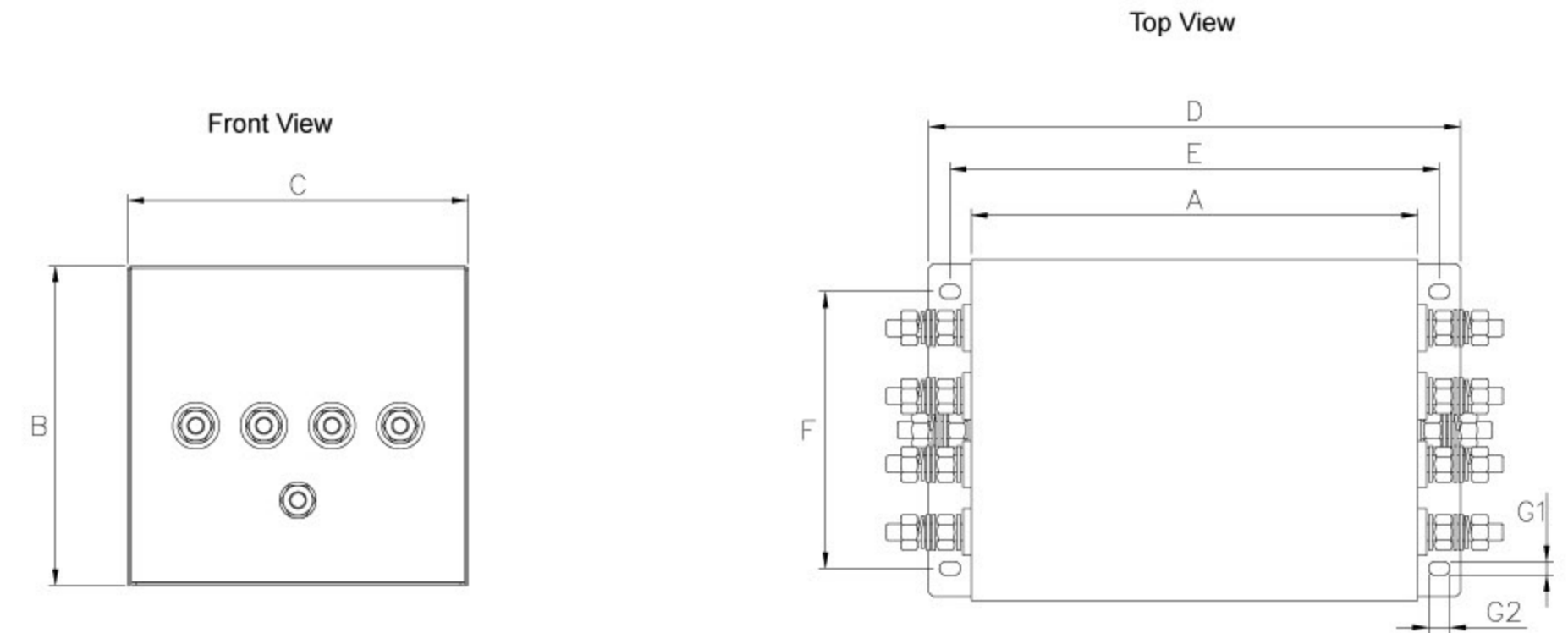
Rated Voltage	440 VAC Max.	Leakage Current	
Rated Current	10-100 A @ 40°C	@ 250 VAC 50 Hz	20 mA Max
Operating Frequency	50/60 Hz	IP Standard	54
Hipot Rating		Climatic category	25/85/21
Line to Line	1700 VDC		
Line to Ground	2750 VDC		
Case	CRS plated		

Model No.	Rated Current @ 40°C	Mechanical Diagram	Terminal Options	
			In	Out
098.01001.00	10.0	A	M4 Screw	M4 Screw
098.01501.00	15.0	A	M4 Screw	M4 Screw
098.02501.00	25.0	A	M6 Screw	M6 Screw
098.03501.00	35.0	A	M6 Screw	M6 Screw
098.05001.00	50.0	A	M6 Screw	M6 Screw
098.10001.00	100.0	A	M10 Screw	M10 Screw



098 - Electrical Schematic

098 Mechanical Outlines



098 Mechanical Dimensions (mm) For reference only

Model No.	A	B	C	D	E	F	G
098.01001.00	140.0	105.0	80.0	190.0	165.0	80.0	6.5*10.0
098.01501.00	140.0	105.0	80.0	190.0	165.0	80.0	6.5*10.0
098.02501.00	140.0	120.0	100.0	190.0	165.0	50.0	6.5*10.0
098.03501.00	140.0	120.0	100.0	190.0	165.0	50.0	6.5*10.0
098.05001.00	140.0	120.0	100.0	190.0	165.0	50.0	6.5*10.0
098.10001.00	210.0	160.0	150.0	250.0	230.0	130.0	6.5*10.0

All dimensions in mm, 1 inch=25.4 mm

Insertion Loss in dB Measured in a 50Ω System

Model No.	Common Mode IL (Frequencies in MHz)							
	0.05	0.1	0.15	0.5	1.0	5.0	10.0	30.0
098.01001.00	15.0	23.0	27.0	50.0	55.0	80.0	74.0	60.0
098.01501.00	10.0	20.0	25.0	47.0	54.0	78.0	70.0	57.0
098.02501.00	13.0	20.0	25.0	40.0	52.0	67.0	63.0	50.0
098.03501.00	10.0	15.0	19.0	35.0	45.0	68.0	63.0	40.0
098.05001.00	5.0	12.0	15.0	35.0	49.0	67.0	62.0	35.0
098.10001.00	3.0	11.0	20.0	55.0	70.0	55.0	52.0	25.0

Model No.	Differential Mode IL (Frequencies in MHz)							
	0.05	0.1	0.15	0.5	1.0	5.0	10.0	30.0
098.01001.00	27.0	40.0	53.0	80.0	80.0	77.0	70.0	75.0
098.01501.00	25.0	38.0	50.0	80.0	80.0	77.0	70.0	74.0
098.02501.00	30.0	62.0	75.0	80.0	80.0	65.0	66.0	50.0
098.03501.00	20.0	55.0	65.0	80.0	80.0	77.0	80.0	65.0
098.05001.00	23.0	52.0	65.0	80.0	80.0	75.0	75.0	57.0
098.10001.00	36.0	30.0	60.0	70.0	58.0	55.0	50.0	43.0

Other specifications, requirements and customizations can be provided upon request.