

# 085/085M

## General Purpose and Medical Filtered Power Entry Modules with Switch



### 085 Series

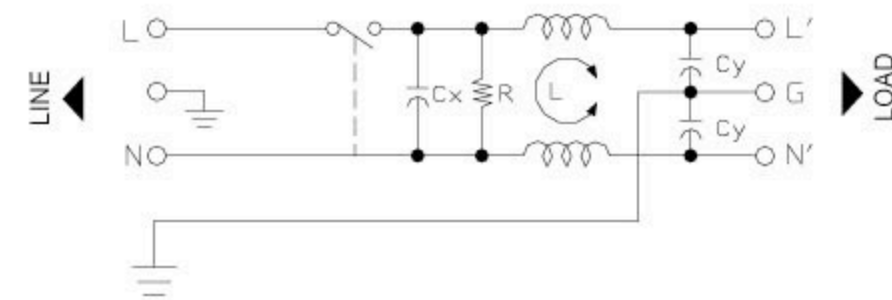
General Purpose Filtered Power Entry Modules with Switch

#### Features

Compact integrated power entry modules with on/off switch. Fast on tabs and other terminal options available.

#### Typical Applications

Compact electronic equipment. 1U rack assemblies.



085- Electrical Schematic

### 085M Series

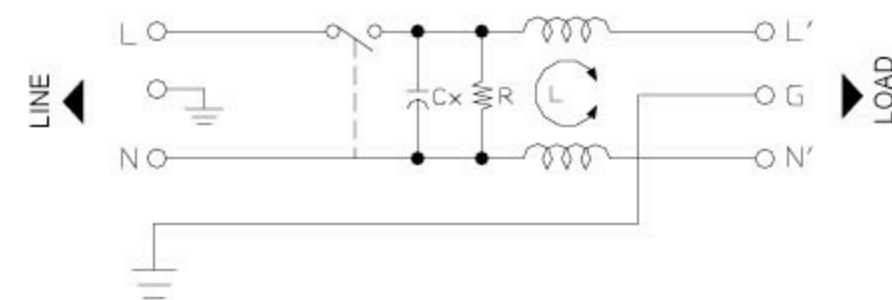
Low Leakage Current, Medical Filtered Power Entry Modules with Switch

#### Features

Low leakage current, compact integrated power entry modules with on/off switch. Fast on tabs and other terminal options available.

#### Typical Applications

Medical and compact electronic equipment and applications requiring low leakage current.



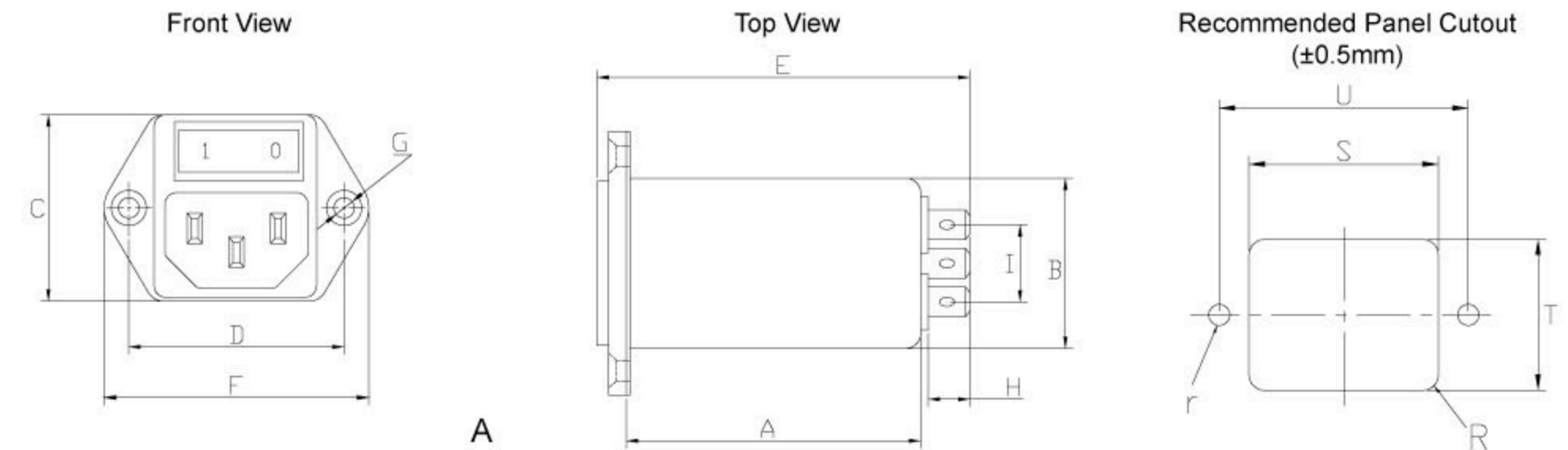
085M - Electrical Schematic

### Technical Data

Rated Voltage	250 VAC Max.	Leakage Current 085 Series	
Rated Current	1-10 A @ 40°C	@ 250 VAC 50 Hz	0.42 mA Max.
Operating Frequency	50/60 Hz	@ 115 VAC 60 Hz	0.23 mA Max.
Hipot Rating		Leakage Current 085M Series	
Line to Line	1450 VDC	@ 250 VAC 50 Hz	10 µA Max.
Line to Ground	2250 VDC	@ 115 VAC 60 Hz	5 µA Max.
Case	CRS Ni plated	IP Standard	51
Packaging Quantity	105 pcs per carton	Climatic category	25/85/21

085 Model No.	085M Model No.	Rated Current @ 40°C	Mechanical Diagram	Unit Weight (g)	Terminal Options	
					In	Out
085.00101.00	085M.00101.00	1.0	A	63.0	IEC Inlet Socket	Faston 6.35*0.8
085.00301.00	085M.00301.00	3.0	A	63.0	IEC Inlet Socket	Faston 6.35*0.8
085.00601.00	085M.00601.00	6.0	A	65.0	IEC Inlet Socket	Faston 6.35*0.8
085.01001.00	085M.01001.00	10.0	A	65.0	IEC Inlet Socket	Faston 6.35*0.8

### 085/085M Mechanical Outlines



### 085/085M Mechanical Dimensions (mm) For reference only

Model No.	Model No.	A	B	C	D	E	F	G	H	I	R	S	T	U	r
085.00101.00	085M.00101.00	50.9	28.5	33.0	36.0	67.0	44.0	2*4.0	8.8	12.0	3.0	29.5	33.5	36.1	2.1
085.00301.00	085M.00301.00	50.9	28.5	33.0	36.0	67.0	44.0	2*4.0	8.8	12.0	3.0	29.5	33.5	36.1	2.1
085.00601.00	085M.00601.00	50.9	28.5	33.0	36.0	67.0	44.0	2*4.0	8.8	12.0	3.0	29.5	33.5	36.1	2.1
085.01001.00	085M.01001.00	50.9	28.5	33.0	36.0	67.0	44.0	2*4.0	8.8	12.0	3.0	29.5	33.5	36.1	2.1

All dimensions in mm, 1 inch=25.4 mm

### Insertion Loss in dB Measured in a 50Ω System

Model No.	Common Mode IL (Frequencies in MHz)								Model No.	Common Mode IL (Frequencies in MHz)							
	0.05	0.1	0.15	0.5	1.0	5.0	10.0	30.0		0.05	0.1	0.15	0.5	1.0	5.0	10.0	30.0
085.00101.00	32.0	38.0	41.0	53.0	56.0	55.0	55.0	50.0	085M.00101.00	32.0	38.0	41.0	49.0	51.0	33.0	27.0	17.0
085.00301.00	28.0	34.0	37.0	49.0	51.0	52.0	50.0	50.0	085M.00301.00	28.0	34.0	37.0	45.0	43.0	29.0	23.0	15.0
085.00601.00	16.0	22.0	25.0	35.0	38.0	48.0	48.0	45.0	085M.00601.00	16.0	22.0	25.0	31.0	33.0	29.0	23.0	15.0
085.01001.00	10.0	16.0	18.0	26.0	28.0	42.0	42.0	40.0	085M.01001.00	10.0	16.0	18.0	24.0	26.0	16.0	10.0	8.0

Model No.	Differential Mode IL (Frequencies in MHz)								Model No.	Differential Mode IL (Frequencies in MHz)							
	0.05	0.1	0.15	0.5	1.0	5.0	10.0	30.0		0.05	0.1	0.15	0.5	1.0	5.0	10.0	30.0
085 Series	12.0	14.0	18.0	28.0	32.0	55.0	50.0	50.0	085M Series	12.0	14.0	18.0	28.0	32.0	55.0	50.0	50.0

- Line to ground capacitors are available up to 4,700 pF.
- Other specifications, requirements and customizations can be provided upon request.