

# 083/083M

## General Purpose and Medical Filtered Power Entry Modules With Double Fuse Holder



### 083 Series

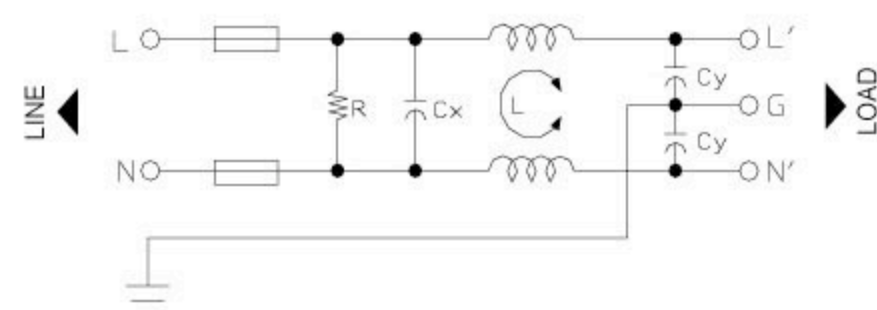
General Purpose Filtered Power Entry Modules With Double Fuse Holder  
Fuse Size 5x20mm Not Included

#### Features

Compact double safety fuse module, easy to use power entry filter with two safety fuses online and neutral. Available with fast on tabs or solder terminals.

#### Typical Applications

Compact design electronic equipment with safety and protection requirements.



083 - Electrical Schematic

### 083M Series

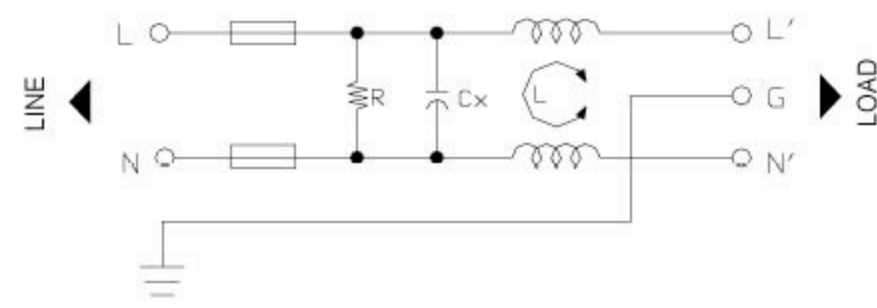
Low Leakage Current Medical Filtered Power Entry Modules with Double Fuse Holder  
Fuse Size 5x20mm Not Included

#### Features

Low leakage current, compact double safety fuse module, easy to use power entry filter with two safety fuses on both line and neutral. Available with fast on tabs or solder terminals.

#### Typical Applications

Medical or low leakage current compact electronic equipment with safety and protection requirements.



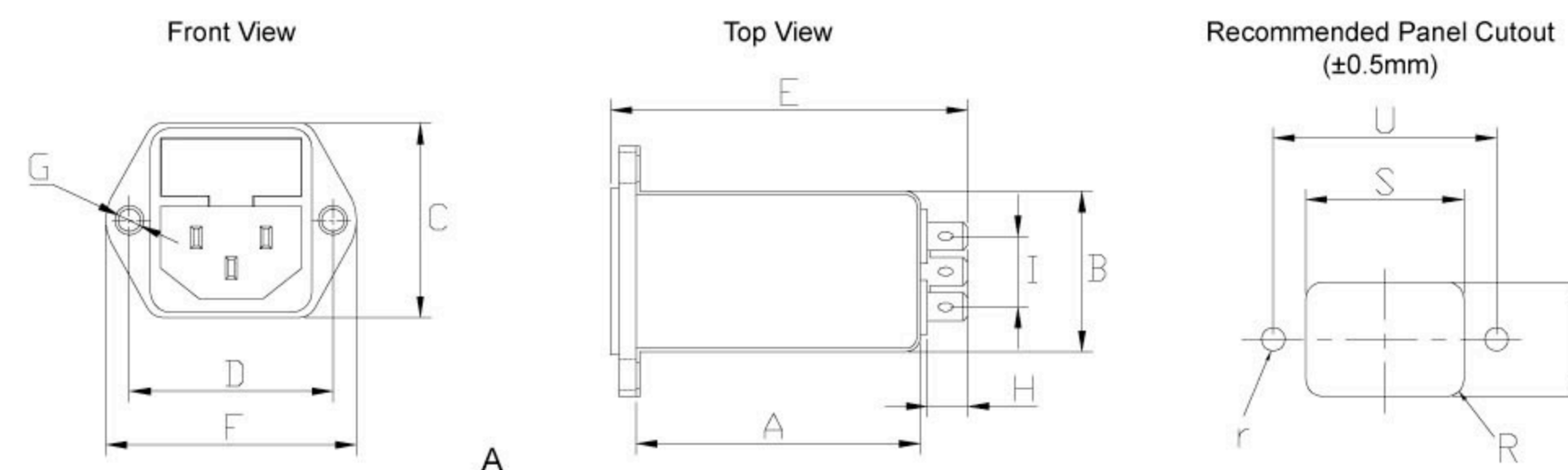
083M - Electrical Schematic

### Technical Data

Rated Voltage		Leakage Current 083 Series	
Rated Voltage	250 VAC Max.	@ 250 VAC 50 Hz	0.42 mA Max.
Rated Current	1-10 A @ 40°C	@ 115 VAC 60 Hz	0.23 mA Max.
Operating Frequency	50/60 Hz	Leakage Current 083M Series	
Hipot Rating		@ 250 VAC 50 Hz	10 µA Max.
Line to Line	1450 VDC	@ 115 VAC 60 Hz	5 µA Max.
Line to Ground	2250 VDC	IP Standard	51-52
Case	CRS Ni plated	Climatic category	25/85/21
Packaging Quantity	105 pcs per carton		

083 Model No.	083M Model No.	Rated Current @ 40°C	Mechanical Diagram	Unit Weight (g)	Terminal Options	
					In	Out
083.00101.00	083M.00101.00	1.0	A	62.0	IEC Inlet Socket	Faston 6.35*0.8
083.00301.00	083M.00301.00	3.0	A	64.0	IEC Inlet Socket	Faston 6.35*0.8
083.00601.00	083M.00601.00	6.0	A	64.0	IEC Inlet Socket	Faston 6.35*0.8
083.01001.00	083M.01001.00	10.0	A	66.0	IEC Inlet Socket	Faston 6.35*0.8

### 083/083M Mechanical Outlines



### 083/083M Mechanical Dimensions (mm) For reference only

Model No.	Model No.	A	B	C	D	E	F	G	H	I	R	S	T	U	r
083.00101.00	083M.00101.00	50.9	28.5	34.0	36.1	66.0	44.5	2*Φ4.0	8.8	12.0	3.0	29.5	33.5	36.1	2.1
083.00301.00	083M.00301.00	50.9	28.5	34.0	36.1	66.0	44.5	2*Φ4.0	8.8	12.0	3.0	29.5	33.5	36.1	2.1
083.00601.00	083M.00601.00	50.9	28.5	34.0	36.1	66.0	44.5	2*Φ4.0	8.8	12.0	3.0	29.5	33.5	36.1	2.1
083.01001.00	083M.01001.00	50.9	28.5	34.0	36.1	66.0	44.5	2*Φ4.0	8.8	12.0	3.0	29.5	33.5	36.1	2.1

All dimensions in mm, 1 inch=25.4 mm

### Insertion Loss in dB Measured in a 50Ω System

Model No.	Common Mode IL (Frequencies in MHz)								Model No.	Common Mode IL (Frequencies in MHz)							
	0.05	0.1	0.15	0.5	1.0	5.0	10.0	30.0		0.05	0.1	0.15	0.5	1.0	5.0	10.0	30.0
083.00101.00	32.0	38.0	41.0	53.0	56.0	55.0	55.0	50.0	083M.00101.00	32.0	38.0	41.0	49.0	51.0	33.0	27.0	17.0
083.00301.00	28.0	34.0	37.0	49.0	51.0	52.0	50.0	50.0	083M.00301.00	28.0	34.0	37.0	45.0	43.0	29.0	23.0	15.0
083.00601.00	16.0	22.0	25.0	35.0	38.0	48.0	48.0	45.0	083M.00601.00	16.0	22.0	25.0	31.0	33.0	29.0	23.0	15.0
083.01001.00	10.0	16.0	18.0	26.0	28.0	42.0	42.0	40.0	083M.01001.00	10.0	16.0	18.0	24.0	26.0	16.0	10.0	8.0

Model No.	Differential Mode IL (Frequencies in MHz)								Model No.	Differential Mode IL (Frequencies in MHz)							
	0.05	0.1	0.15	0.5	1.0	5.0	10.0	30.0		0.05	0.1	0.15	0.5	1.0	5.0	10.0	30.0
083 Series	12.0	14.0	18.0	28.0	32.0	55.0	50.0	50.0	083M Series	12.0	14.0	18.0	28.0	32.0	55.0	50.0	50.0

- Line to ground capacitors are available up to 4,700 pF.
- Other specifications, requirements and customizations can be provided upon request.