

082/082M

General Purpose and Medical Filtered Power Entry Modules With Fuse Holder and Switch



082 Series

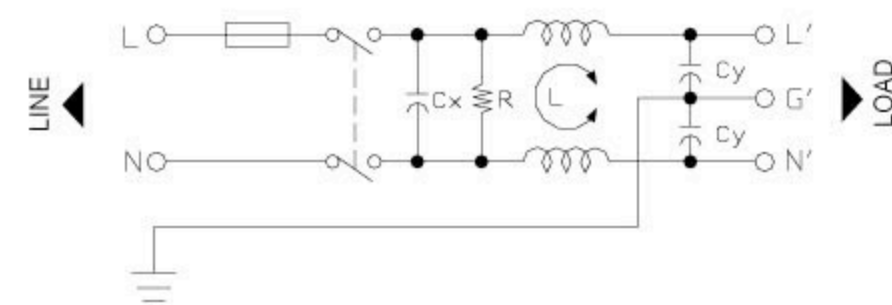
General Purpose Filtered Power Entry Modules with Fuse Holder and Switch
Fuse Size 5×20mm Not Included

Features

Compact Integrated power entry modules with safety fuse and on/off switch. Easy to use and install with fast on tabs or solder terminals.

Typical Applications

Compact electronic equipment, PC, printers, plotters etc.,



082 - Electrical Schematic

082M Series

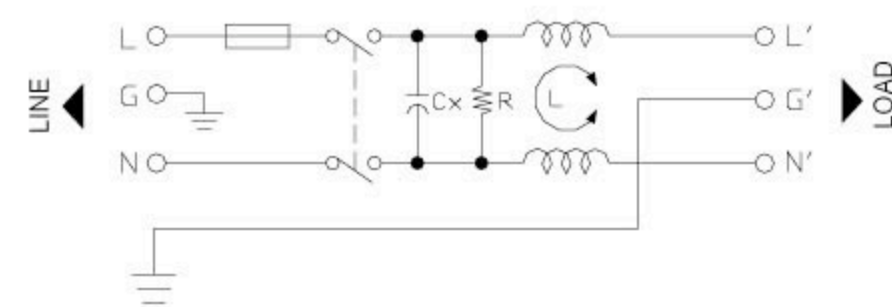
Low Leakage Current Medical Filtered Power Entry Modules with Fuse Holder and Switch
Fuse Size 5×20mm Not Included

Features

Low leakage current, compact Integrated power entry module with safety fuse and on/off switch. Easy to use and install with fast on tabs or solder terminals.

Typical Applications

Medical or low leakage current requirements, compact electronic equipment.



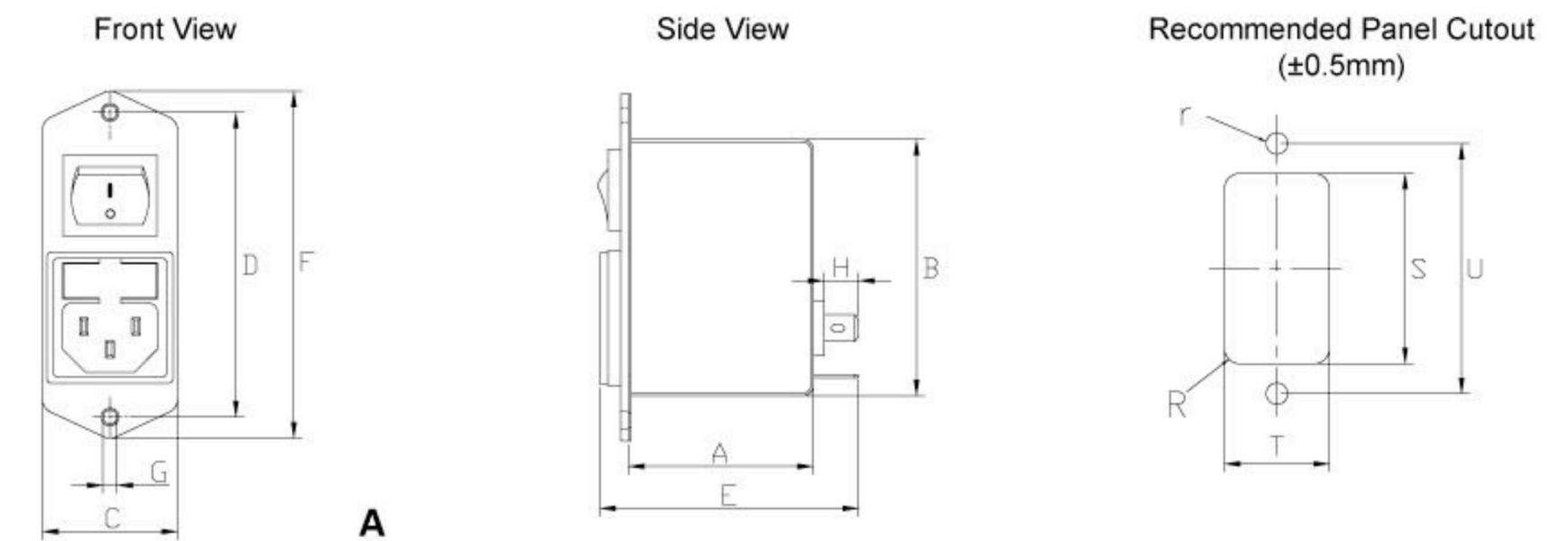
082M - Electrical Schematic

Technical Data

Rated Voltage		Leakage Current 082 Series	
Rated Voltage	250 VAC Max.	@ 250 VAC 50 Hz	0.42 mA Max.
Rated Current	1-10 A @ 40°C	@ 115 VAC 60 Hz	0.23 mA Max.
Operating Frequency	50/60 Hz	Leakage Current 082M Series	
Hipot Rating		@ 250 VAC 50 Hz	10 µA Max.
Line to Line	1450 VDC	@ 115 VAC 60 Hz	5 µA Max.
Line to Ground	2250 VDC	IP Standard	51
Case	CRS Ni plated	Climatic category	25/85/21
Packaging Quantity	60 pcs per carton		

082 Model No.	082M Model No.	Rated Current @ 40°C	Mechanical Diagram	Unit Weight (g)	Terminal Options	
					In	Out
082.00101.00	082M.00101.00	1.0	A	92.0	IEC Inlet Socket	Faston 6.35*0.8
082.00301.00	082M.00301.00	3.0	A	93.0	IEC Inlet Socket	Faston 6.35*0.8
082.00601.00	082M.00601.00	6.0	A	94.0	IEC Inlet Socket	Faston 6.35*0.8
082.01001.00	082M.01001.00	10.0	A	100.0	IEC Inlet Socket	Faston 6.35*0.8

082/082M Mechanical Outlines



082/082M Mechanical Dimensions (mm) For reference only

Model No.	Model No.	A	B	C	D	E	F	G	H	R	S	T	U	r
082.00101.00	082M.00101.00	43.7	60.6	32.0	72.0	61.0	82.0	2*Φ4.0	8.8	2.5	61.0	30.0	72.0	2.1
082.00301.00	082M.00301.00	43.7	60.6	32.0	72.0	61.0	82.0	2*Φ4.0	8.8	2.5	61.0	30.0	72.0	2.1
082.00601.00	082M.00601.00	43.7	60.6	32.0	72.0	61.0	82.0	2*Φ4.0	8.8	2.5	61.0	30.0	72.0	2.1
082.01001.00	082M.01001.00	43.7	60.6	32.0	72.0	61.0	82.0	2*Φ4.0	8.8	2.5	61.0	30.0	72.0	2.1

All dimensions in mm, 1 inch=25.4 mm

Insertion Loss in dB Measured in a 50Ω System

Model No.	Common Mode IL (Frequencies in MHz)								Model No.	Common Mode IL (Frequencies in MHz)							
	0.05	0.1	0.15	0.5	1.0	5.0	10.0	30.0		0.05	0.1	0.15	0.5	1.0	5.0	10.0	30.0
082.00101.00	32.0	38.0	41.0	53.0	56.0	55.0	55.0	50.0	082M.00101.00	32.0	38.0	41.0	49.0	51.0	33.0	27.0	17.0
082.00301.00	28.0	34.0	37.0	49.0	51.0	52.0	50.0	50.0	082M.00301.00	28.0	34.0	37.0	45.0	43.0	29.0	23.0	15.0
082.00601.00	16.0	22.0	25.0	35.0	38.0	48.0	48.0	45.0	082M.00601.00	16.0	22.0	25.0	31.0	33.0	29.0	23.0	15.0
082.01001.00	10.0	16.0	18.0	26.0	28.0	42.0	42.0	40.0	082M.01001.00	10.0	16.0	18.0	24.0	26.0	16.0	10.0	8.0

Model No.	Differential Mode IL (Frequencies in MHz)								Model No.	Differential Mode IL (Frequencies in MHz)							
	0.05	0.1	0.15	0.5	1.0	5.0	10.0	30.0		0.05	0.1	0.15	0.5	1.0	5.0	10.0	30.0
082 Series	12.0	14.0	18.0	28.0	32.0	55.0	50.0	50.0	082M Series	12.0	14.0	18.0	28.0	32.0	55.0	50.0	50.0

- Line to ground capacitors are available up to 4,700 pF.
- Other specifications, requirements and customizations can be provided upon request.